

规格/TECHNICAL SPECIFICATIONS

型号/MODEL NUMBER:	I LENS705-S13-3045-H
透镜尺寸/LENS DIMENSIONS:	Φ11.5*6.35MM
支架尺寸/HOLDER DIMENSIONS:	Φ12.8*7.5MM
定位方式/FASTENING:	打胶/贴胶/定位柱/Type or Pin
是否符合ROHS/ROHS COMPLIANT:	是/YES

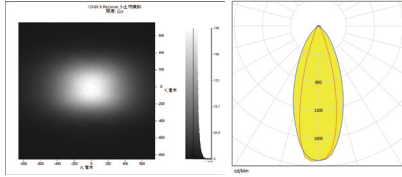


Holder Part No./支架零件号	Colour /颜色	Specification/规格	Function/功能	Fastening/固定
H705M1-3030	Black/黑色		Adapting 3030 LED 适配 3030 LED	Type 打胶/贴胶
H705M2-3030	White/白色			
H705M1-3535	Black/黑色		Adapting 3535 LED 适配 3535 LED	PIN 定位柱
H705M2-3535	White/白色			
H705M1-P	Black/黑色		Adapting 3030 or 3535 LED 适配 3030 或 3535 LED	PIN 定位柱
H705M2-P	White/白色			

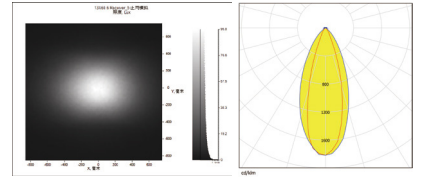
说明/CHARACTERISTIC:

- 透镜有多种不同的配光角度。
The lens have multiple types beam angles.
- 六种不同的支架来匹配不同LED, 贴胶或者定位柱定位安装。
With 6 type brackets to match different leds, Self-adhesive tape or pins for fix.
- 兼容多种灯珠。
Compatible with various lamp beads.
- 适用于洗墙灯和投光灯。
Suitable for wall washing lighting and floodlights.
- 与市面上同类镜头相比, 光效更好, 光斑更漂亮, 兼容性更好。
Compared with similar type lenses on the market, with better light effect ,more beautiful spot and better compatibility.

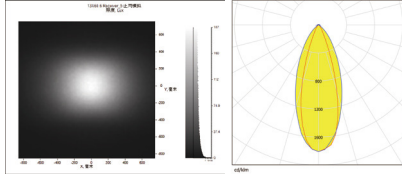
LED:CREE XPE2
 角度/FWHM:29°42°
 光效/Efficiency:90%
 峰值强度/Peakintensity:2.1CD/LM
 光学面数量/LED/each optic:1
 灯光颜色/Light colour:白色/White
 所需组件/Required components:



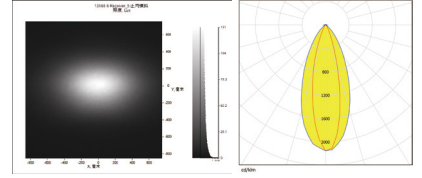
LED:CREE XQE
 角度/FWHM:30°44°
 光效/Efficiency:89%
 峰值强度/Peakintensity:2CD/LM
 光学面数量/LED/each optic:1
 灯光颜色/Light colour:白色/White
 所需组件/Required components:



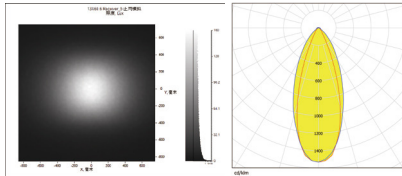
LED:CREE XPG2
 角度/FWHM:31°42°
 光效/Efficiency:89%
 峰值强度/Peakintensity:2CD/LM
 光学面数量/LED/each optic:1
 灯光颜色/Light colour:白色/White
 所需组件/Required components:



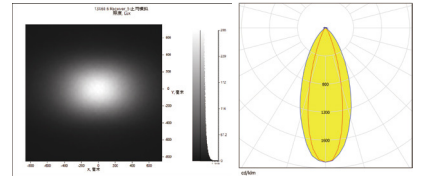
LED:LUXEON 3030 2D
 角度/FWHM:25°43°
 光效/Efficiency:90%
 峰值强度/Peakintensity:2.3CD/LM
 光学面数量/LED/each optic:1
 灯光颜色/Light colour:白色/White
 所需组件/Required components:



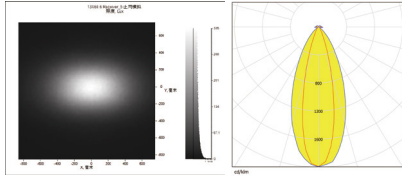
LED:CREE XPG3
 角度/FWHM:35°43°
 光效/Efficiency:88%
 峰值强度/Peakintensity:1.7CD/LM
 光学面数量/LED/each optic:1
 灯光颜色/Light colour:白色/White
 所需组件/Required components:



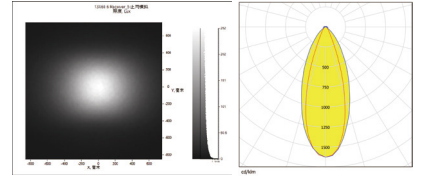
LED:LUXEON TX
 角度/FWHM:28°43°
 光效/Efficiency:89%
 峰值强度/Peakintensity:2.1CD/LM
 光学面数量/LED/each optic:1
 灯光颜色/Light colour:白色/White
 所需组件/Required components:



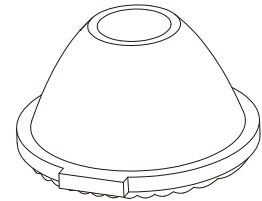
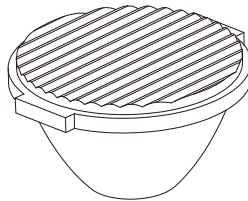
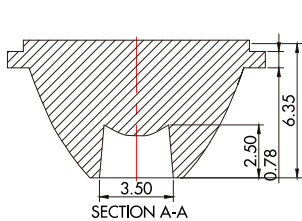
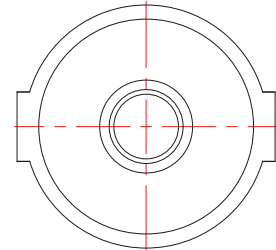
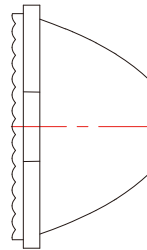
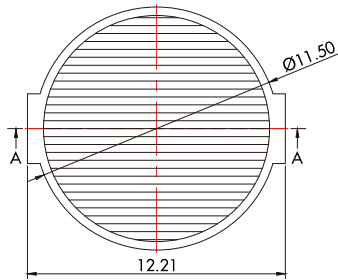
LED:CREE XD16
 角度/FWHM:25°44°
 光效/Efficiency:90%
 峰值强度/Peakintensity:2.1CD/LM
 光学面数量/LED/each optic:1
 灯光颜色/Light colour:白色/White
 所需组件/Required components:



LED:LUXEON LH351B
 角度/FWHM:33°43°
 光效/Efficiency:89%
 峰值强度/Peakintensity:1.8CD/LM
 光学面数量/LED/each optic:1
 灯光颜色/Light colour:白色/White
 所需组件/Required components:



CAD



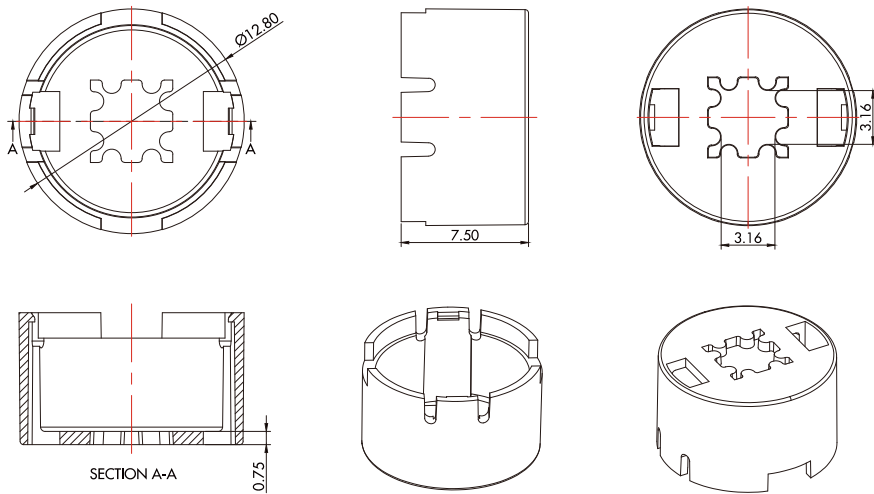
注意/NOTE:

1. 镜片表面应光滑无划痕、气泡、凹痕和黑点。

The surface of the lens should be smooth without scratches, bubbles, dents and black spots.

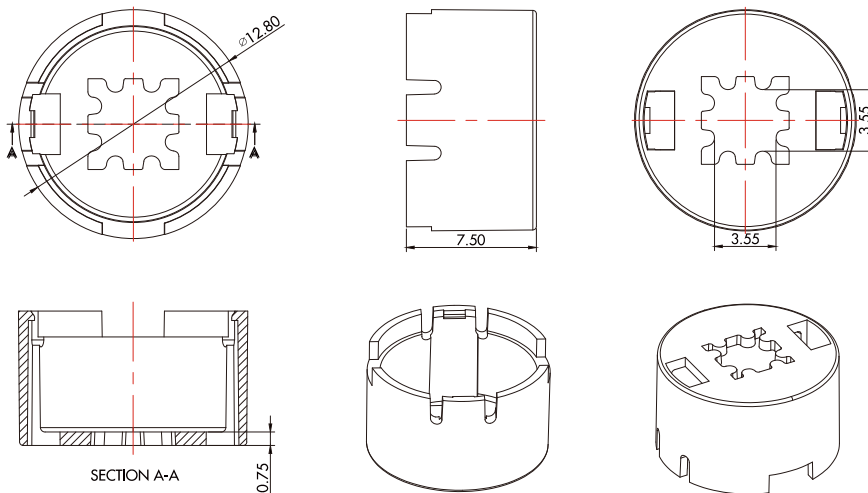
GENERAL TOLERANCES ISO2768-M (UNLESS STATED) 一般公差ISO 2768-M (除非另有说明)	MATERIAL 材质	PMMA	DRAWING TITLE 绘图标题	I LENS705-S13-3045-H
LINEAR/线性	0~5±0.05		5~10±0.1	10~30±0.15
ANGULAR/角度	0°~10°±1°		10°~50°±0.5°	50°~120°±0.3°

H705MX-3030



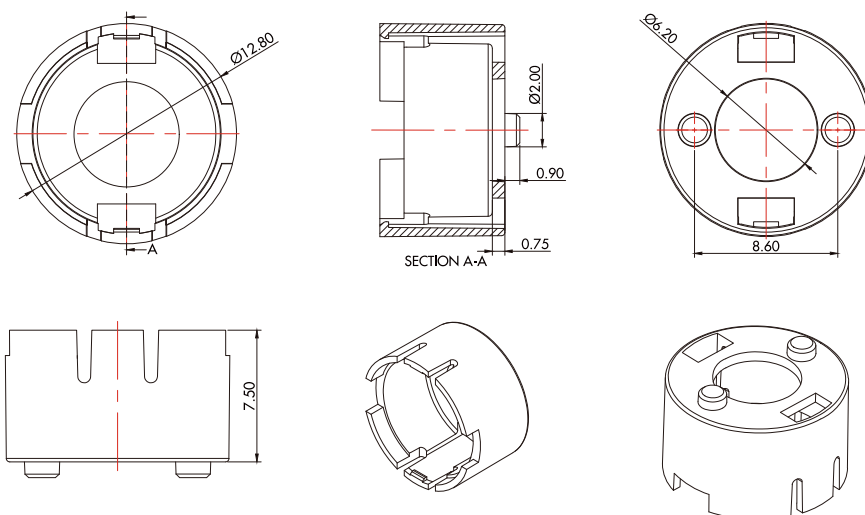
材质/MATERIAL	PC
线性/LINEAR	
	0~5±0.05
	5~10±0.1
	10~30±0.15
角度/ANGULAR	
	0°~10°±1°
	10°~50°±0.5°
	50°~120°±0.3°

H705MX-3535



材质/MATERIAL	PC
线性/LINEAR	
	0~5±0.05
	5~10±0.1
	10~30±0.15
角度/ANGULAR	
	0°~10°±1°
	10°~50°±0.5°
	50°~120°±0.3°

H705MX-2PIN



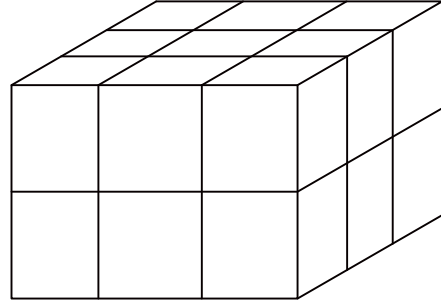
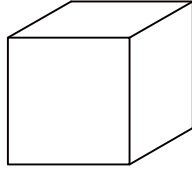
材质/MATERIAL	PC
线性/LINEAR	
	0~5±0.05
	5~10±0.1
	10~30±0.15
角度/ANGULAR	
	0°~10°±1°
	10°~50°±0.5°
	50°~120°±0.3°

产品包装/Products Packaging

型号/Part No.	数量/QTY
I LENS705-S13-3045-H705Mx-3030/3535/P	18000pcs
PE袋/PE bag	1000pcs
内盒/cardboard box (S)	18pcs
外盒/cardboard box (M)	1pc



1000pcs



1000*18=18000pcs