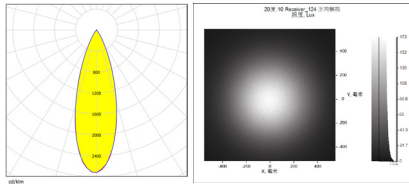
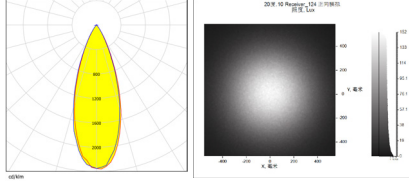




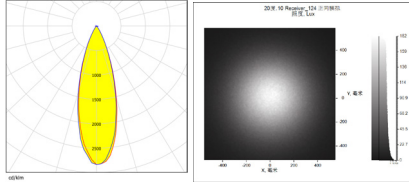
LED:CREE XPE2  
 角度/FWHM:32.5°  
 光效/Efficiency:94%  
 峰值强度/Peakintensity:2.82CD/LM  
 光学面数量/LED/each optic:1  
 灯光颜色/Light colour:白色/White  
 所需组件/Required components:



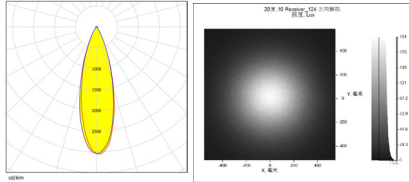
LED:CREE XPG2  
 角度/FWHM:35.8°  
 光效/Efficiency:94%  
 峰值强度/Peakintensity:2.46CD/LM  
 光学面数量/LED/each optic:1  
 灯光颜色/Light colour:白色/White  
 所需组件/Required components:



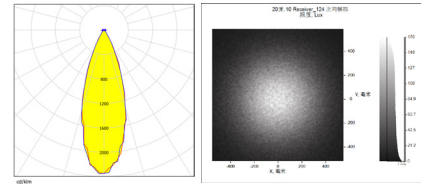
LED:CREE 3030  
 角度/FWHM:31°  
 光效/Efficiency:94%  
 峰值强度/Peakintensity:2.95CD/LM  
 光学面数量/LED/each optic:1  
 灯光颜色/Light colour:白色/White  
 所需组件/Required components:



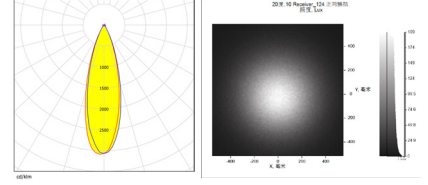
LED:LUXEON 3030 Round  
 角度/FWHM:29.5°  
 光效/Efficiency:94%  
 峰值强度/Peakintensity:3.18CD/LM  
 光学面数量/LED/each optic:1  
 灯光颜色/Light colour:白色/White  
 所需组件/Required components:



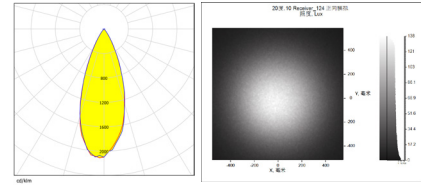
LED:NICHIA 219  
 角度/FWHM:34°  
 光效/Efficiency:94%  
 峰值强度/Peakintensity:2.53CD/LM  
 光学面数量/LED/each optic:1  
 灯光颜色/Light colour:白色/White  
 所需组件/Required components:



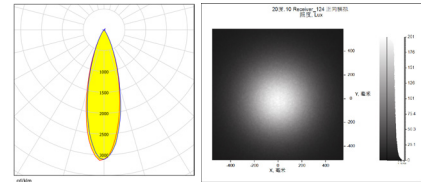
LED:SEOUL MJT3030  
 角度/FWHM:29.6°  
 光效/Efficiency:94%  
 峰值强度/Peakintensity:3.21CD/LM  
 光学面数量/LED/each optic:1  
 灯光颜色/Light colour:白色/White  
 所需组件/Required components:



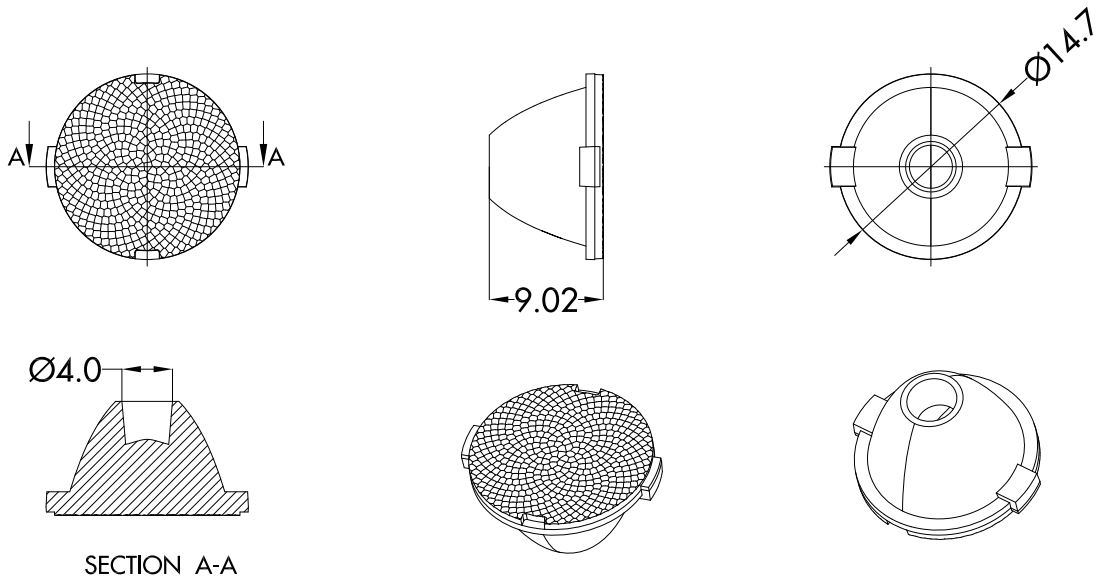
LED:SAMSUNG LH301B  
 角度/FWHM:38.4°  
 光效/Efficiency:94%  
 峰值强度/Peakintensity:2.22CD/LM  
 光学面数量/LED/each optic:1  
 灯光颜色/Light colour:白色/White  
 所需组件/Required components:



LED:SAMSUNG LM281A  
 角度/FWHM:29°  
 光效/Efficiency:94%  
 峰值强度/Peakintensity:3.25CD/LM  
 光学面数量/LED/each optic:1  
 灯光颜色/Light colour:白色/White  
 所需组件/Required components:



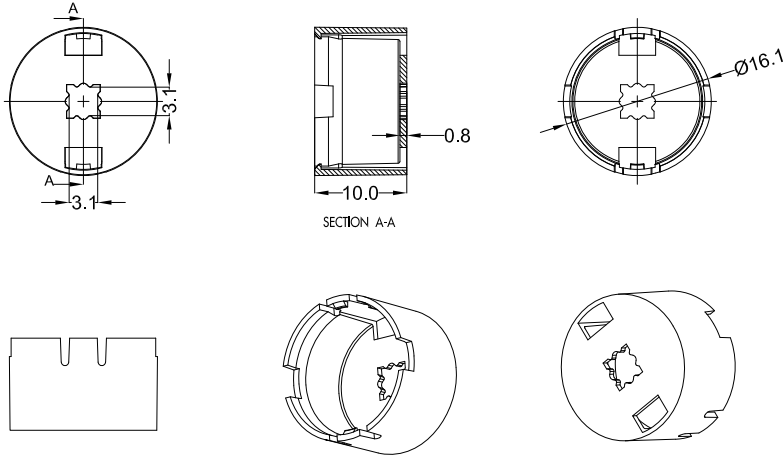
CAD



SECTION A-A

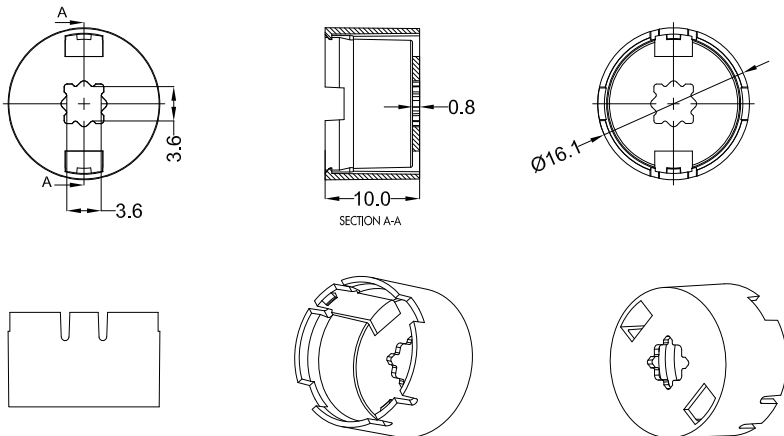
GENERAL TOLERANCES ISO2768-M (UNLESS STATED) 一般公差ISO 2768-M(除非另有说明)	MATERIAL 材质	PMMA	DRAWING TITLE 绘图标题	I LENS878-S16-B30-H
LINEAR/线性	0~5±0.05		5~10±0.1	10~30±0.15
ANGULAR/角度	0°~10°±1°		10°~50°±0.5°	50°~120°±0.3°

# H878H-3030



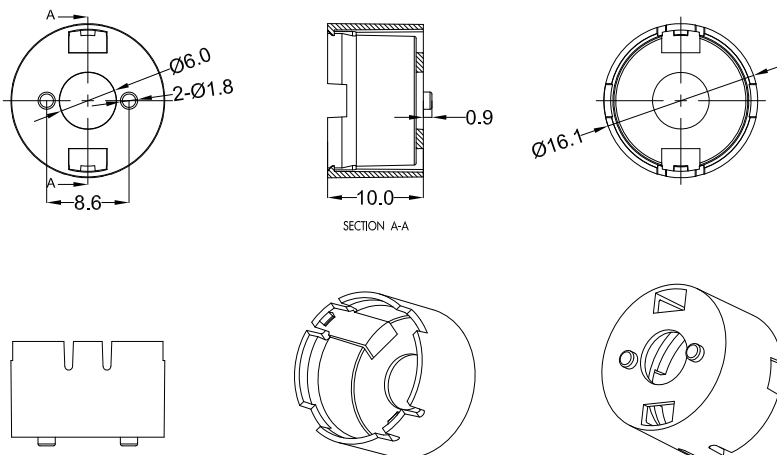
材质/MATERIAL	PC
线性/LINEAR	
0~5±0.05	
5~10±0.1	
10~30±0.15	
角度/ANGULAR	
0°~10°±1°	
10°~50°±0.5°	
50°~120°±0.3°	

# H878H-3535



材质/MATERIAL	PC
线性/LINEAR	
0~5±0.05	
5~10±0.1	
10~30±0.15	
角度/ANGULAR	
0°~10°±1°	
10°~50°±0.5°	
50°~120°±0.3°	

# H878H-P



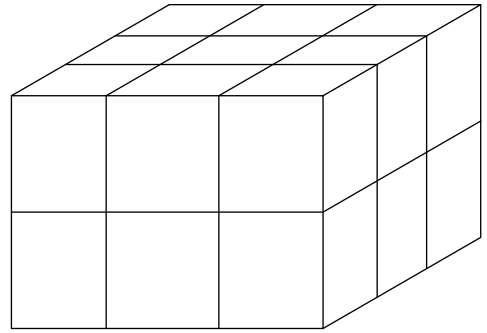
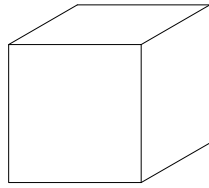
材质/MATERIAL	PC
线性/LINEAR	
0~5±0.05	
5~10±0.1	
10~30±0.15	
角度/ANGULAR	
0°~10°±1°	
10°~50°±0.5°	
50°~120°±0.3°	

# 非镜面包装/Others Not Mirror Products Packaging

型号/Part No.	数量/QTY
ILENS878-S16-B30-H	18000pcs
PE袋/PE bag	1000pcs
内盒/cardboard box(S)	18pcs
外盒/cardboard box(M)	1pc



1000pcs



1000pcs\*18=18000pcs