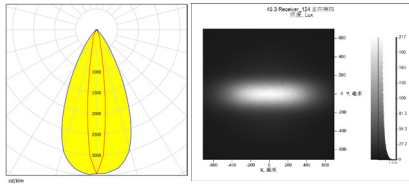
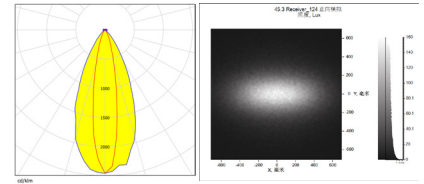


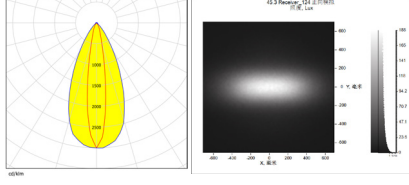
LED:CREE XPE2
 角度/FWHM:13.8°*48.9°
 光效/Efficiency:90%
 峰值强度/Peakintensity:3.83CD/LM
 光学面数量/LED/each optic:1
 灯光颜色/Light colour:白色/White
 所需组件/Required components:



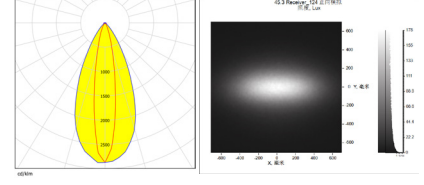
LED:NICHIA 219
 角度/FWHM:18.9°*45.7°
 光效/Efficiency:90%
 峰值强度/Peakintensity:2.81CD/LM
 光学面数量/LED/each optic:1
 灯光颜色/Light colour:白色/White
 所需组件/Required components:



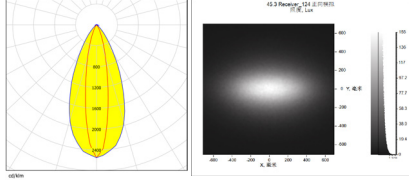
LED:CREE XPG2
 角度/FWHM:16.5°*46.8°
 光效/Efficiency:90%
 峰值强度/Peakintensity:3.34CD/LM
 光学面数量/LED/each optic:1
 灯光颜色/Light colour:白色/White
 所需组件/Required components:



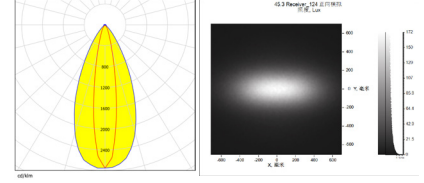
LED:SEOUL MJT3030
 角度/FWHM:17.4°*46.3°
 光效/Efficiency:90%
 峰值强度/Peakintensity:3.21CD/LM
 光学面数量/LED/each optic:1
 灯光颜色/Light colour:白色/White
 所需组件/Required components:



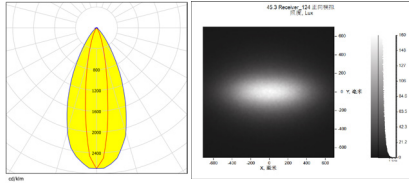
LED:CREE 3030
 角度/FWHM:19.5°*45.2°
 光效/Efficiency:90%
 峰值强度/Peakintensity:2.86CD/LM
 光学面数量/LED/each optic:1
 灯光颜色/Light colour:白色/White
 所需组件/Required components:



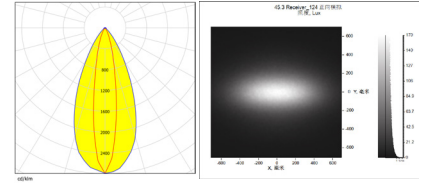
LED:SAMSUNG LH301B
 角度/FWHM:17.8°*46.5°
 光效/Efficiency:90%
 峰值强度/Peakintensity:3.10CD/LM
 光学面数量/LED/each optic:1
 灯光颜色/Light colour:白色/White
 所需组件/Required components:



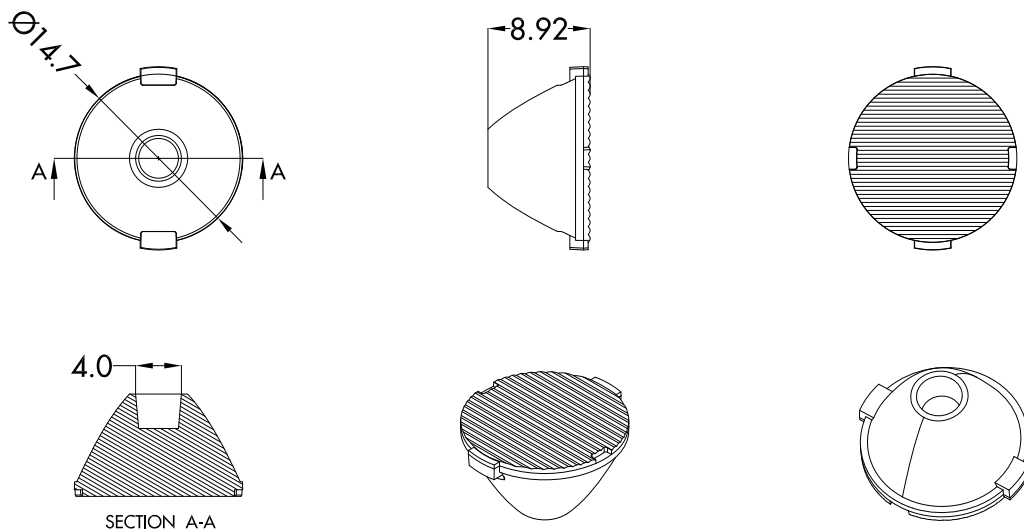
LED:LUXEON 3030 Round
 角度/FWHM:18°*45.9°
 光效/Efficiency:90%
 峰值强度/Peakintensity:3.02CD/LM
 光学面数量/LED/each optic:1
 灯光颜色/Light colour:白色/White
 所需组件/Required components:



LED:SAMSUNG LM281A
 角度/FWHM:17.7°*46.2°
 光效/Efficiency:90%
 峰值强度/Peakintensity:3.12CD/LM
 光学面数量/LED/each optic:1
 灯光颜色/Light colour:白色/White
 所需组件/Required components:

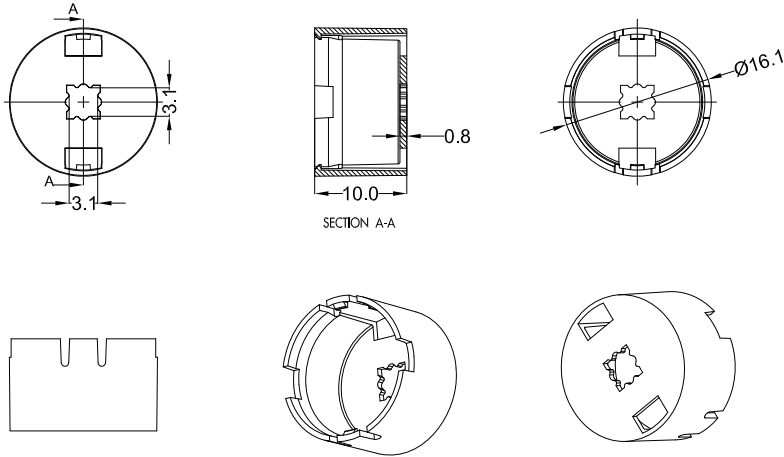


CAD



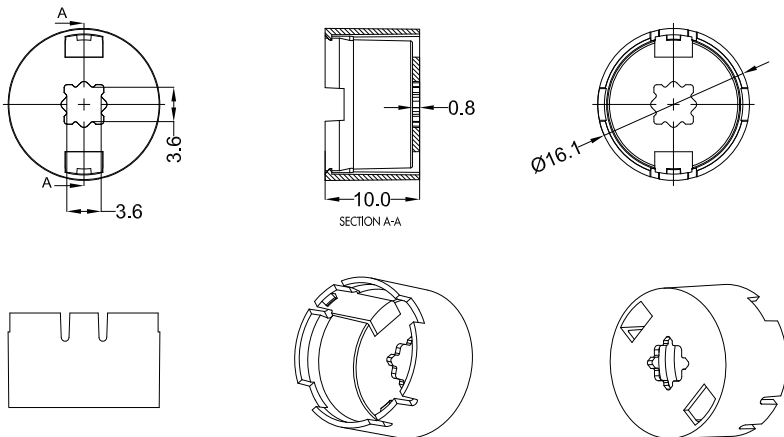
GENERAL TOL ERANCES ISO2768-M (UNLESS STATED) 一般公差ISO 2768-M(除非另有说明)	MATERIL 材质	PMMA	DRAWING TITLE 绘图标题	ILENS878-S16-1545-H
LINEAR/线性	0~5±0.05		5~10±0.1	10~30±0.15
ANGULAR/角度	0°~10°±1°		10°~50°±0.5°	50°~120°±0.3°

H878H-3030



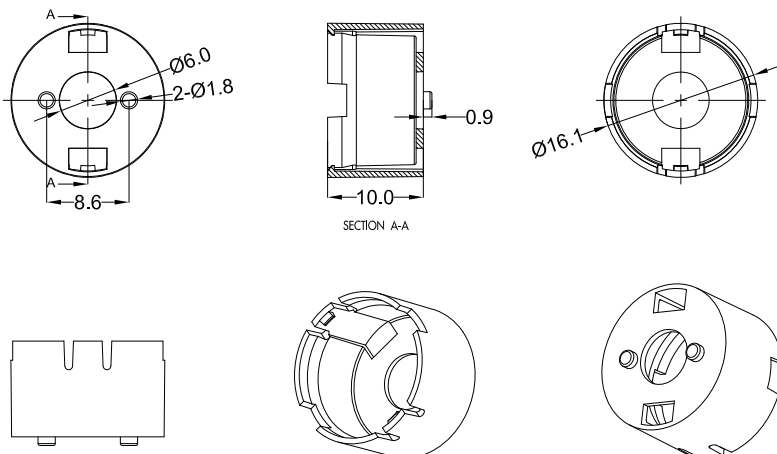
材质/MATERIL	PC
线性/LINEAR	
0~5 \pm 0.05	
5~10 \pm 0.1	
10~30 \pm 0.15	
角度/ANGULAR	
0 $^{\circ}$ ~10 $^{\circ}$ \pm 1 $^{\circ}$	
10 $^{\circ}$ ~50 $^{\circ}$ \pm 0.5 $^{\circ}$	
50 $^{\circ}$ ~120 $^{\circ}$ \pm 0.3 $^{\circ}$	

H878H-3535



材质/MATERIL	PC
线性/LINEAR	
0~5 \pm 0.05	
5~10 \pm 0.1	
10~30 \pm 0.15	
角度/ANGULAR	
0 $^{\circ}$ ~10 $^{\circ}$ \pm 1 $^{\circ}$	
10 $^{\circ}$ ~50 $^{\circ}$ \pm 0.5 $^{\circ}$	
50 $^{\circ}$ ~120 $^{\circ}$ \pm 0.3 $^{\circ}$	

H878H-P



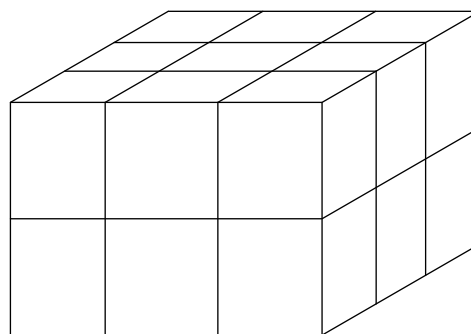
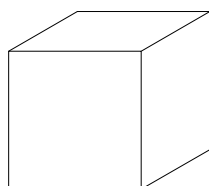
材质/MATERIL	PC
线性/LINEAR	
0~5 \pm 0.05	
5~10 \pm 0.1	
10~30 \pm 0.15	
角度/ANGULAR	
0 $^{\circ}$ ~10 $^{\circ}$ \pm 1 $^{\circ}$	
10 $^{\circ}$ ~50 $^{\circ}$ \pm 0.5 $^{\circ}$	
50 $^{\circ}$ ~120 $^{\circ}$ \pm 0.3 $^{\circ}$	

非镜面包装/Others Not Mirror Products Packaging

型号/Part No.	数量/QTY
IENS878-S16-1545-H	18000pcs
PE袋/PE bag	1000pcs
内盒/cardboard box(S)	18pcs
外盒/cardboard box(M)	1pcs



1000pcs



1000pcs*18=18000pcs