

规格/TECHNICAL SPECIFICATIONS

型号/MODEL NUMBER:	I LENS666-S30-B60-RGB-H
透镜尺寸/LENS DIMENSIONS:	Φ30.1*15.1MM
支架尺寸/HOLDER DIMENSIONS:	Φ32.0*16.2MM
定位方式/FASTENING:	打胶/贴胶/定位柱/Glue or Tape or Pin
是否符合ROHS/ROHS COMPLIANT:	是/YES

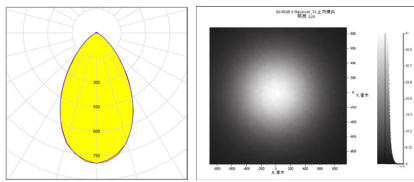


Holder Part No./支架零件号	Colour /颜色	Specification/规格	Function/功能	Fastening/固定	
H666H1-3535	Black/黑色		Adapting 3535 LED 适配 3535 LED	Glue/Tape 打胶/贴胶	
H666H2-3535	White/白色		Adapting 5050 LED 适配 5050 LED		
H666H1-5050	Black/黑色		Adapting 3535 or 5050 or 7070 LED 适配 3535 或 5050 或 7070 LED		PIN 定位柱
H666H2-5050	White/白色				
H666H1-P	Black/黑色				
H666H2-P	White/白色				

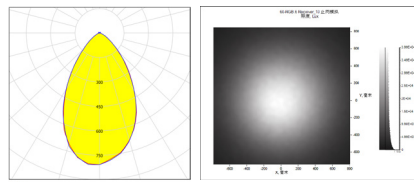
说明/CHARACTERISTIC:

- 透镜有多种不同的配光角度。
The lens have multiple types beam angles.
- 不同的支架匹配不同LED, 贴胶或者定位柱定位安装。
with different type brackets to match different leds, glue or tape or pins for fixed on pcb.
- 兼容多种灯珠。
Compatible with various lamp beads.
- 适用于洗墙灯和投光灯。
Suitable for wall washing lighting and floodlights.
- 与市面上同类镜头相比, 光效更好, 光斑更漂亮, 兼容性更好。
Compared with similar type lenses on the market, with better light effect, more beautiful spot and better compatibility.

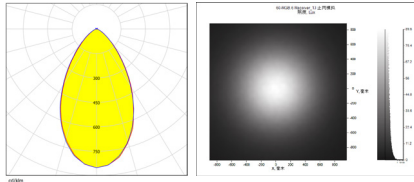
LED:CREE XPE2
 角度/FWHM:62.7°
 光效/Efficiency:90%
 峰值强度/Peakintensity:0.84CD/LM
 光学面数量/LED/each optic:1
 灯光颜色/Light colour:白色/White
 所需组件/Required components:



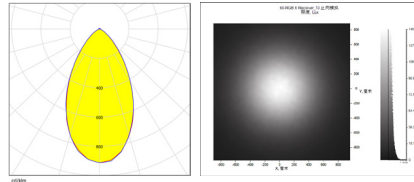
LED:LATTICEPOWER 3535-RGBW
 角度/FWHM:61.9°
 光效/Efficiency:90%
 峰值强度/Peakintensity:0.86CD/LM
 光学面数量/LED/each optic:1
 灯光颜色/Light colour:白色/White
 所需组件/Required components:



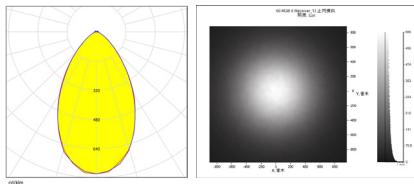
LED:CREE XML-RGBW
 角度/FWHM:59.9°
 光效/Efficiency:90%
 峰值强度/Peakintensity:0.9CD/LM
 光学面数量/LED/each optic:1
 灯光颜色/Light colour:白色/White
 所需组件/Required components:



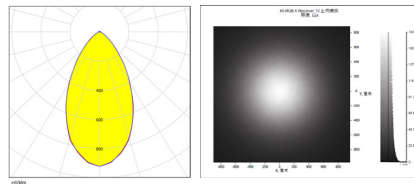
LED:LUXEON 5050 Round
 角度/FWHM:56.9°
 光效/Efficiency:90%
 峰值强度/Peakintensity:0.96CD/LM
 光学面数量/LED/each optic:1
 灯光颜色/Light colour:白色/White
 所需组件/Required components:



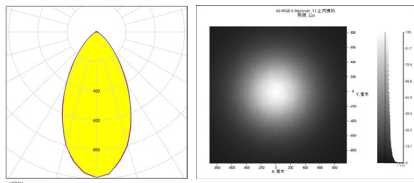
LED:CREE XHP50.2
 角度/FWHM:61.7°
 光效/Efficiency:90%
 峰值强度/Peakintensity:0.82CD/LM
 光学面数量/LED/each optic:1
 灯光颜色/Light colour:白色/White
 所需组件/Required components:



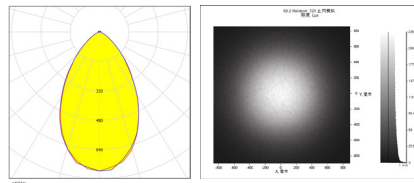
LED:LUXEON 5050 Square
 角度/FWHM:56.4°
 光效/Efficiency:90%
 峰值强度/Peakintensity:0.97CD/LM
 光学面数量/LED/each optic:1
 灯光颜色/Light colour:白色/White
 所需组件/Required components:



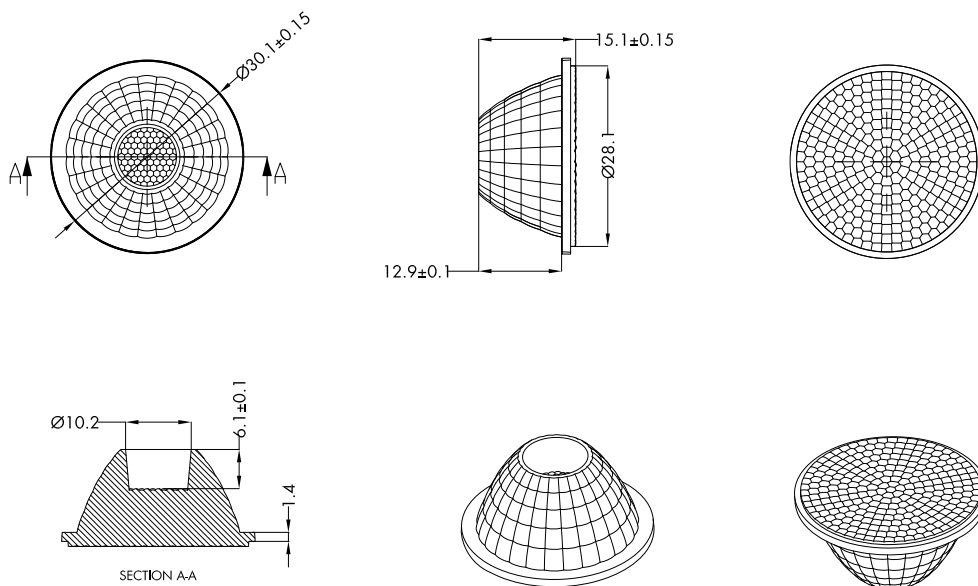
LED:SEOUL STWOL8PA
 角度/FWHM:53.5°
 光效/Efficiency:90%
 峰值强度/Peakintensity:1.04CD/LM
 光学面数量/LED/each optic:1
 灯光颜色/Light colour:白色/White
 所需组件/Required components:



LED:OSRAM GW-P9LR35pm
 角度/FWHM:63.7°
 光效/Efficiency:90%
 峰值强度/Peakintensity:0.8CD/LM
 光学面数量/LED/each optic:1
 灯光颜色/Light colour:白色/White
 所需组件/Required components:



CAD



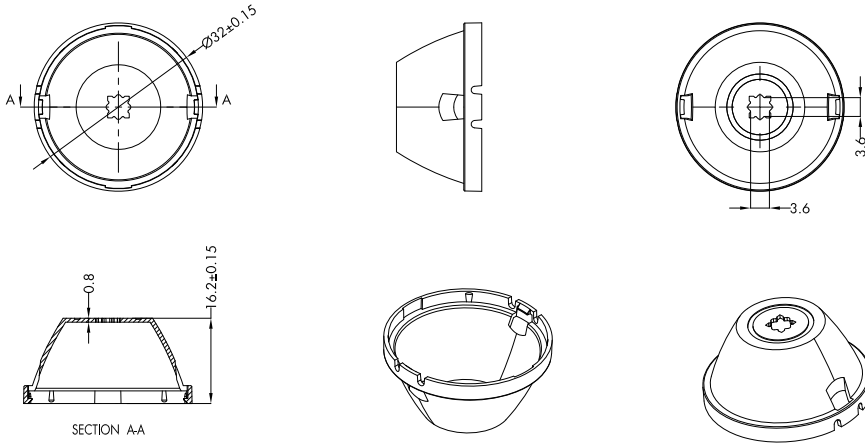
注意/NOTE:

1. 镜片表面应光滑无划痕、气泡、凹痕和黑点。

The surface of the lens should be smooth without scratches, bubbles, dents and black spots.

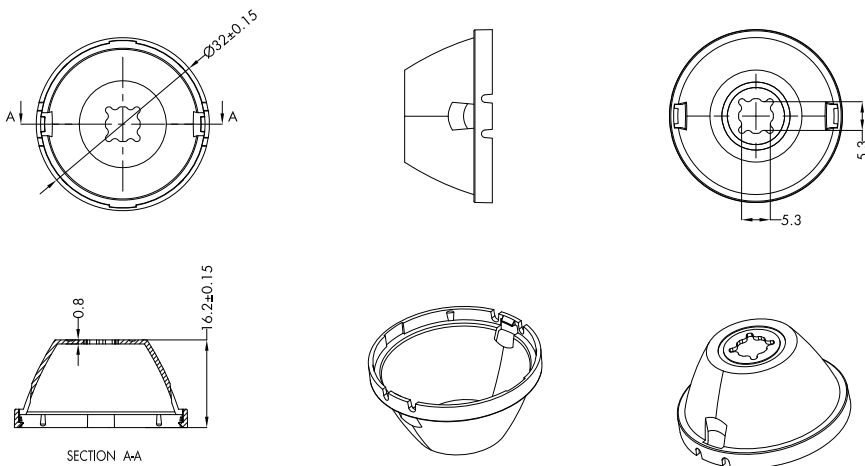
GENERAL TOL ERANCES ISO2768-M (UNLESS STATED) 一般公差ISO 2768-M (除非另有说明)	MATERIAL 材质	PMMA	DRAWING TITLE 绘图标题	I LENS666-S30-B60-RGB-H
LINEAR/线性	0~5±0.05		5~10±0.1	10~30±0.15
ANGULAR/角度	0°~10°±1°		10°~50°±0.5°	50°~120°±0.3°

H666H1-3535/H666H2-3535



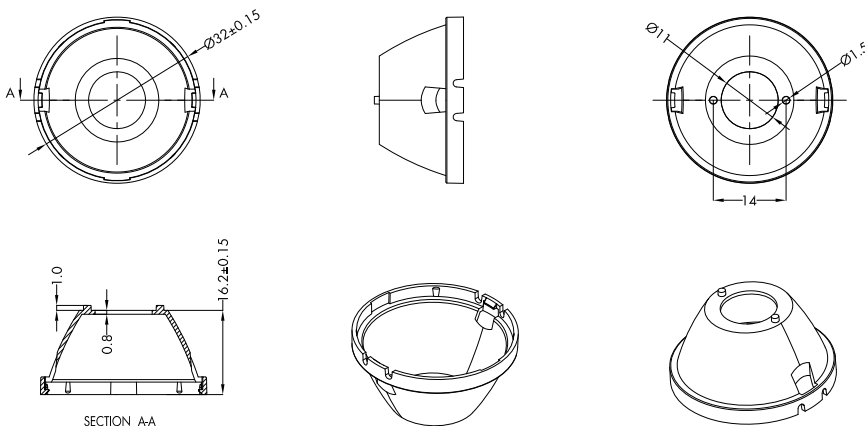
材质/MATERIAL	PC
线性/LINEAR	
0~5±0.05	
5~10±0.1	
10~30±0.15	
角度/ANGULAR	
0°~10°±1°	
10°~50°±0.5°	
50°~120°±0.3°	

H666H1-5050/H666H2-5050



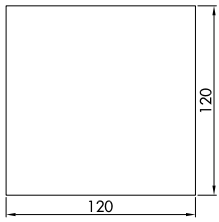
材质/MATERIAL	PC
线性/LINEAR	
0~5±0.05	
5~10±0.1	
10~30±0.15	
角度/ANGULAR	
0°~10°±1°	
10°~50°±0.5°	
50°~120°±0.3°	

H666H1-P/H666H2-P

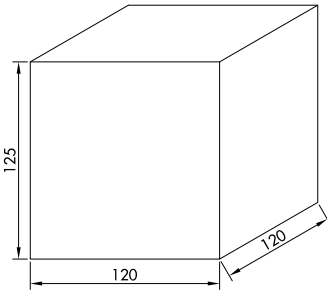


材质/MATERIAL	PC
线性/LINEAR	
0~5±0.05	
5~10±0.1	
10~30±0.15	
角度/ANGULAR	
0°~10°±1°	
10°~50°±0.5°	
50°~120°±0.3°	

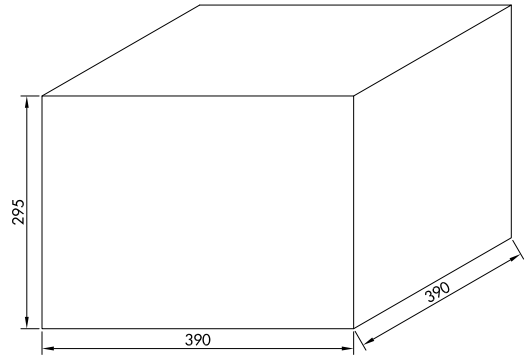
产品包装/Products Packaging



层纸
cardboard (0.4mm thickness)



内盒
cardboard box(S)



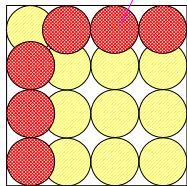
外盒
cardboard box(M) 2:1

型号/Part No.	数量/QTY
ILENS666-S30-B60-RGB-H666H1-P/H666H2-P	2016pcs
层纸/cardboard (0.4mm thickness)	86pcs
内盒/cardboard box (S)	18pcs
外盒/cardboard box (M)	1pcs

示意图/The schematic diagram:

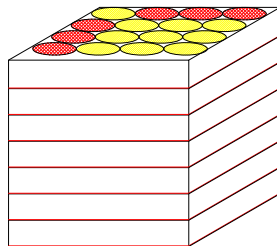


H666H1-P/H666H2-P
Height:17.2mm

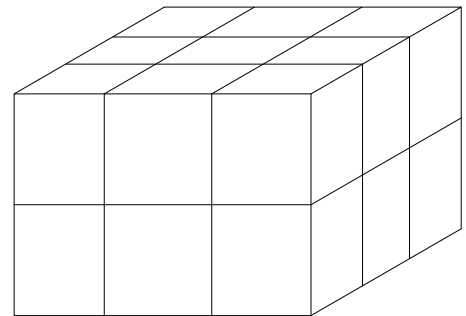


4pcs*4=16pcs

红色为发光面朝上



16pcs*7=112pcs



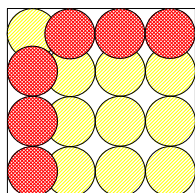
112pcs*18=2016pcs

型号/Part No.	数量/QTY
ILENS666-S30-B60-RGB-H666H1-P/H666H2-P	2016pcs
层纸/cardboard (0.4mm thickness)	86pcs
内盒/cardboard box (S)	18pcs
外盒/cardboard box (M)	1pcs

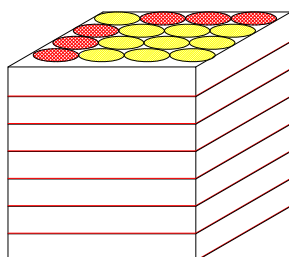
示意图/The schematic diagram:



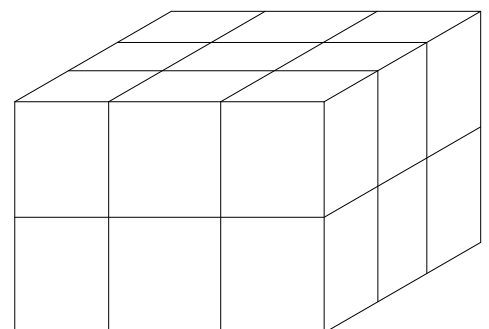
H666H1-3535(S050)/
H666H2-3535(S050)
Height:16.2mm



4pcs*4=16pcs



16pcs*7=112pcs



112pcs*18=2016pcs