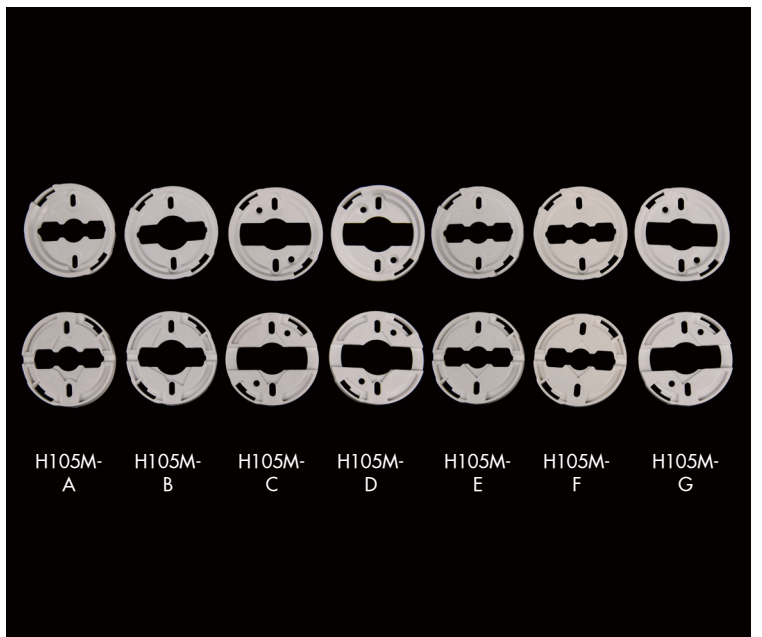

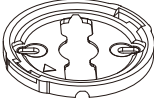

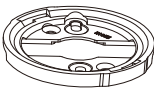
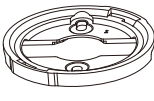
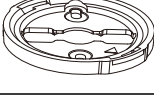
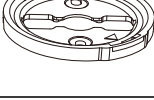



规格/TECHNICAL SPECIFICATIONS

| | |
|--------------------------|----------------------|
| 型号/MODEL NUMBER: | I LENS145-C0B62-15-H |
| 透镜尺寸/LENS DIMENSIONS: | Φ62.0*38MM |
| 支架尺寸/HOLDER DIMENSIONS: | Φ62.0*40MM |
| 定位方式/FASTENING: | 锁螺丝/Screw |
| 是否符合ROHS/ROHS COMPLIANT: | 是/YES |



| Holder Part No./支架零件号 | Colour /颜色 | Specification/规格 | Matched led/匹配光源 | Fastening/固定 |
|-----------------------|------------|---|---|--------------|
| H301M | Black/黑色 |  | / | Clips 卡扣 |
| H105M-A | White/白色 |  | *Holder matched leds/支架匹配光源: CREE: 15xx LUMILEDS: 1202/1203/1204 HD/1205 HD Bridgelux :V10-Gen 6 | Screw 锁螺丝 |
| H105M-B | White/白色 |  | *Holder matched leds/支架匹配光源: CREE: 1816/1820/1830 LUMILEDS: 1204/1205/1208 | Screw 锁螺丝 |
| H105M-C | White/白色 |  | *Holder matched leds/支架匹配光源: CREE:CMT1922/CMT1925/CMT1930 CITIZEN:CLU710/CLU720/CLU038 Luminus:CXM-11/CXM-14 Bridgelux:V13-G7/V9-HD/V11-HD | Screw 锁螺丝 |
| H105M-D | White/白色 |  | *Holder matched leds/支架匹配光源: CREE:CMT1922/CMT1925/CMT1930 CITIZEN:CLU710/CLU720/CLU038/CLL030 Luminus:CXM-11/CXM-14 Bridgelux:V13-G7/V9-HD/V11-HD | Screw 锁螺丝 |
| H105M-E | White/白色 |  | *Holder matched leds/支架匹配光源: Luminus:GEN 3 CHM-9/GEN 3 CLM-9 GENERAL TOLERANCES(UNLESS STATED) UIINEARX | Screw 锁螺丝 |
| H105M-F | White/白色 |  | *Holder matched leds/支架匹配光源: CREE:13xx Citizen:CLu700/CLU026/CLL020 Luminus:CXM-3/CXM-4/CXM-6/CXM-9 Bridgelux:V3-HD/V6-HD/V10-G7 | Screw 锁螺丝 |
| H105M-G | White/白色 |  | *Holder matched leds/支架匹配光源: Citizen:CLu713/CLU723/CLU038 Luminus:CXM-11/CXM-14 Bridgelux:V9 HD/V11 HD/V13-G7 | Screw 锁螺丝 |

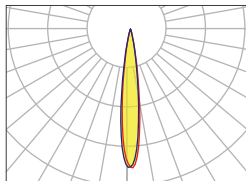
说明/CHARACTERISTIC:

- 透镜有多种不同的配光角度。
The lens have multiple types beam angles.
- 不同的支架来匹配不同LED, 锁螺丝定位安装。
With different types brackets to match different leds, Screw positioning.
- 兼容多种灯珠。
Compatible with various led beads.
- 适用于室内照明。
Suitable for indoor lighting.
- 与市面上同类镜头相比, 光效更好, 光斑更漂亮, 兼容性更好, 特别是非常低的炫光值。
Compared with similar type lenses on the market,with higher efficiency,more beautiful spot and better compatibility.
Anti-glare lens with very low UGR

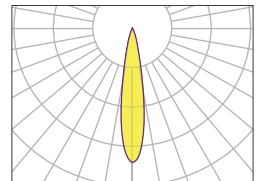
I LENS145-COB62-15-H

实测配光/OPTICAL RESULTS (PMMA)

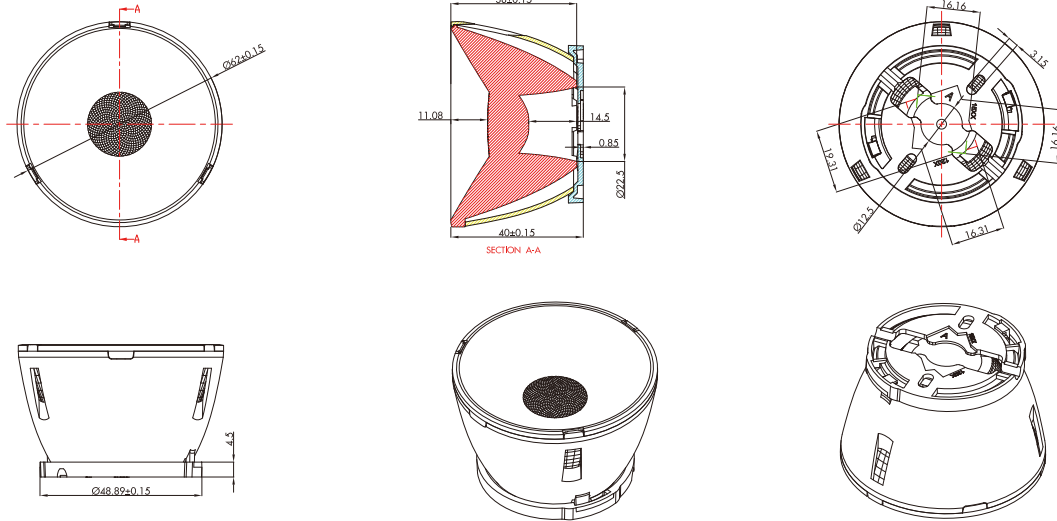
LED:Bridgelux LES 9MM
半角(50%)/FWHM:14.2°
全角(10%)/FWTM:26.7°
光效/Efficiency:81.1%
眩光值/UGR:8.4
灯光颜色/Light colour:白色/White



LED:Bridgelux LES 12MM
半角(50%)/FWHM:18.7°
全角(10%)/FWTM:36.5°
光效/Efficiency:95.19%
眩光值/UGR:10.8
灯光颜色/Light colour:白色/White



I LENS145-COB62-15-H301M-105M-A



*Holder matched leds/支架匹配光源:

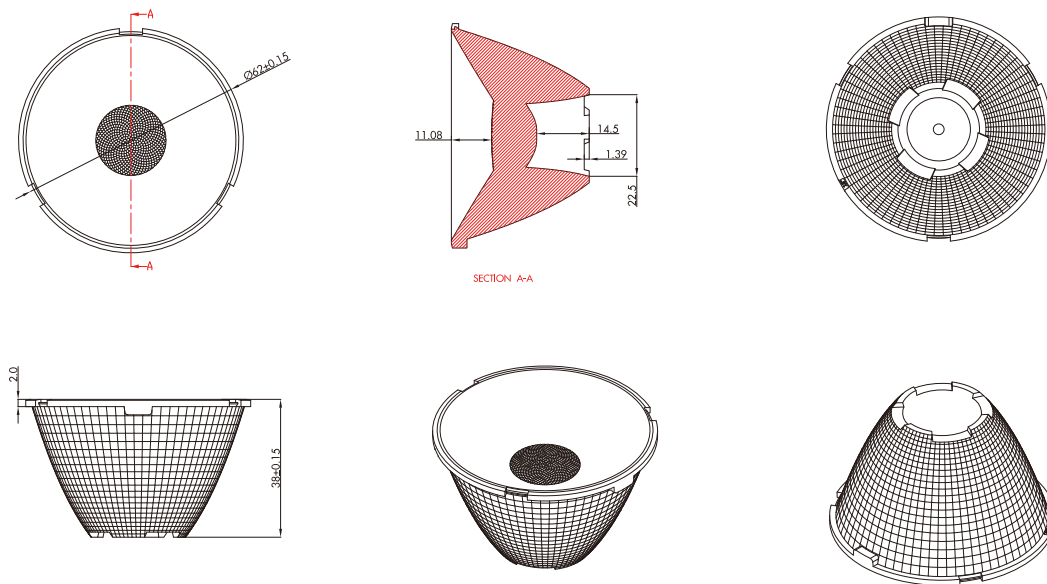
CREE: 15xx

LUMILEDS: 1202/1203/1204 HD/1205 HD

Bridgelux : V10-Gen 6

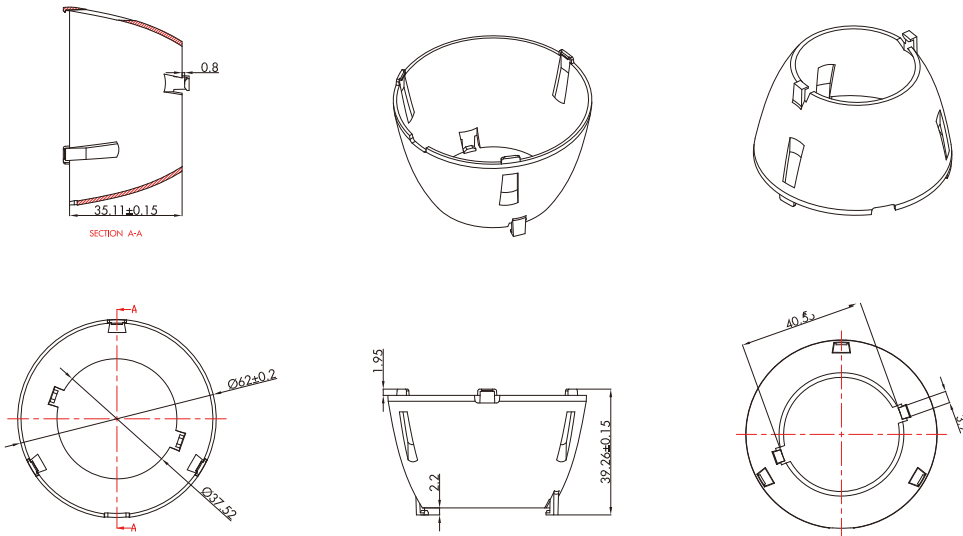
| GENERAL TOLERANCES ISO2768-M (UNLESS STATED) 一般公差ISO 2768-M(除非另有说明) | MATERIAL 材质 | PMMA/PC | 注意/NOTE: 1. 镜片表面应光滑无划痕、气泡、凹痕和黑点。 The surface of the lens should be smooth without scratches, bubbles, dents and black spots. | |
|---|----------------|---------|--|---------------|
| LINEAR/线性 | 0~5±0.05 | | 5~10±0.1 | 10~30±0.15 |
| ANGULAR/角度 | 0°~10°±1° | | 10°~50°±0.5° | 50°~120°±0.3° |

I LENS145-COB62-15-H



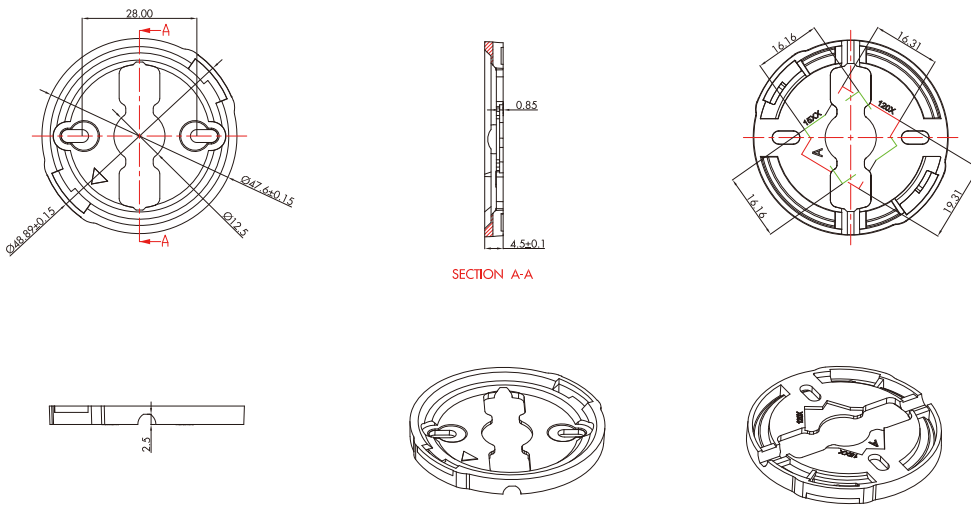
| GENERAL TOLERANCES ISO2768-M (UNLESS STATED) 一般公差ISO 2768-M(除非另有说明) | MATERIAL 材质 | PMMA | 注意/NOTE: 1. 镜片表面应光滑无划痕、气泡、凹痕和黑点。 The surface of the lens should be smooth without scratches, bubbles, dents and black spots. | |
|---|----------------|------|--|---------------|
| LINEAR/线性 | 0~5±0.05 | | 5~10±0.1 | 10~30±0.15 |
| ANGULAR/角度 | 0°~10°±1° | | 10°~50°±0.5° | 50°~120°±0.3° |

H301M



| 材质/MATERIAL | PC |
|---------------|----|
| 线性/LINEAR | |
| 0~5±0.05 | |
| 5~10±0.1 | |
| 10~30±0.15 | |
| 角度/ANGULAR | |
| 0°~10°±1° | |
| 10°~50°±0.5° | |
| 50°~120°±0.3° | |

H105M-A

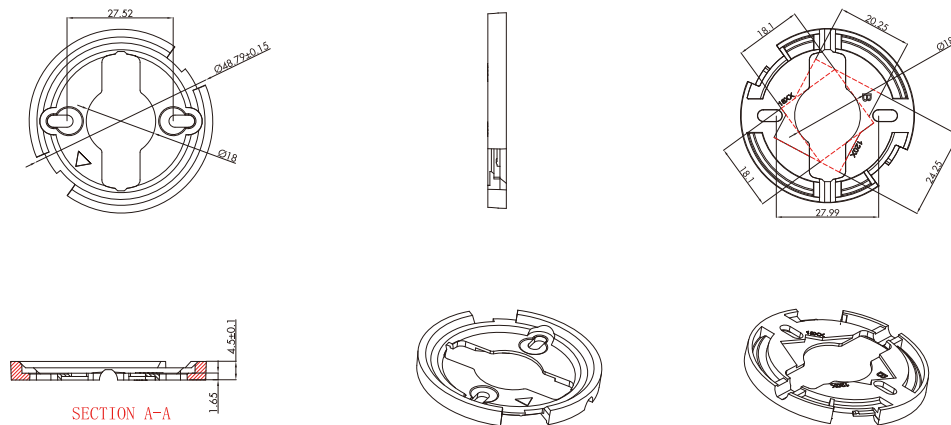


| 材质/MATERIAL | PC |
|---------------|----|
| 线性/LINEAR | |
| 0~5±0.05 | |
| 5~10±0.1 | |
| 10~30±0.15 | |
| 角度/ANGULAR | |
| 0°~10°±1° | |
| 10°~50°±0.5° | |
| 50°~120°±0.3° | |

*Holder matched leds/ 支架匹配光源:
 CREE: 15xx LUMILEDS: 1202/1203/1204 HD/1205 HD

Bridgelux :V10-Gen 6

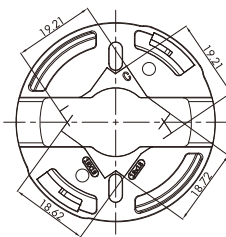
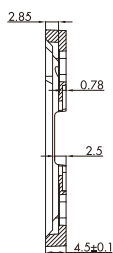
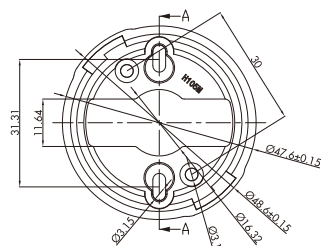
H105M-B



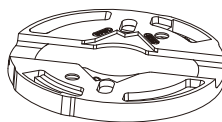
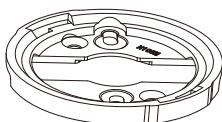
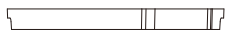
| 材质/MATERIAL | PC |
|---------------|----|
| 线性/LINEAR | |
| 0~5±0.05 | |
| 5~10±0.1 | |
| 10~30±0.15 | |
| 角度/ANGULAR | |
| 0°~10°±1° | |
| 10°~50°±0.5° | |
| 50°~120°±0.3° | |

*Holder matched leds/ 支架匹配光源:
 CREE: 1816/1820/1830 LUMILEDS: 1204/1205/1208

H105M-C



SECTION A-A

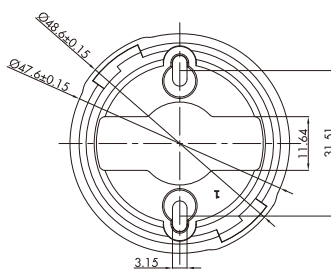
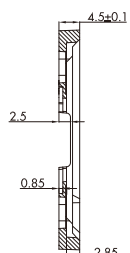
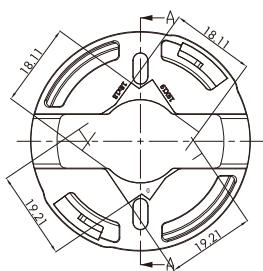


*Holder matched leds/支架匹配光源:
CREE:CMT1922/CMT1925/CMT1930
Luminus:CXM-11/CXM-14

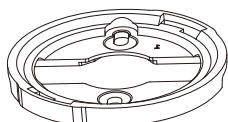
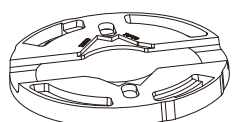
CITIZEN:CLU710/CLU720/CLU038
Bridgelux:V13-G7/V9-HD/V11-HD

| 材质/MATERIAL | PC |
|---------------|----|
| 线性/LINEAR | |
| 0~5±0.05 | |
| 5~10±0.1 | |
| 10~30±0.15 | |
| 角度/ANGULAR | |
| 0°~10°±1° | |
| 10°~50°±0.5° | |
| 50°~120°±0.3° | |

H105M-D



SECTION A-A

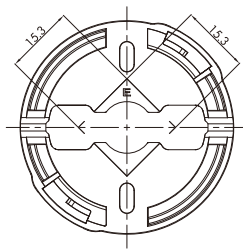
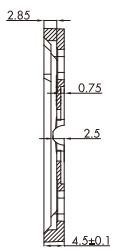
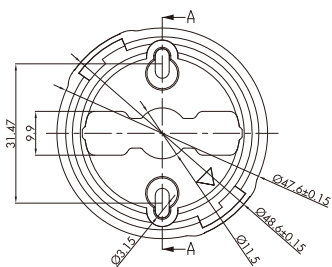


*Holder matched leds/支架匹配光源:
CREE:CMT1922/CMT1925/CMT1930
Luminus:CXM-11/CXM-14

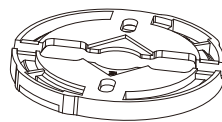
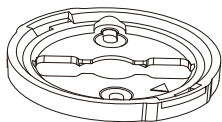
CITIZEN:CLU710/CLU720/CLU038/CLL030
Bridgelux:V13-G7/V9-HD/V11-HD

| 材质/MATERIAL | PC |
|---------------|----|
| 线性/LINEAR | |
| 0~5±0.05 | |
| 5~10±0.1 | |
| 10~30±0.15 | |
| 角度/ANGULAR | |
| 0°~10°±1° | |
| 10°~50°±0.5° | |
| 50°~120°±0.3° | |

H105M-E



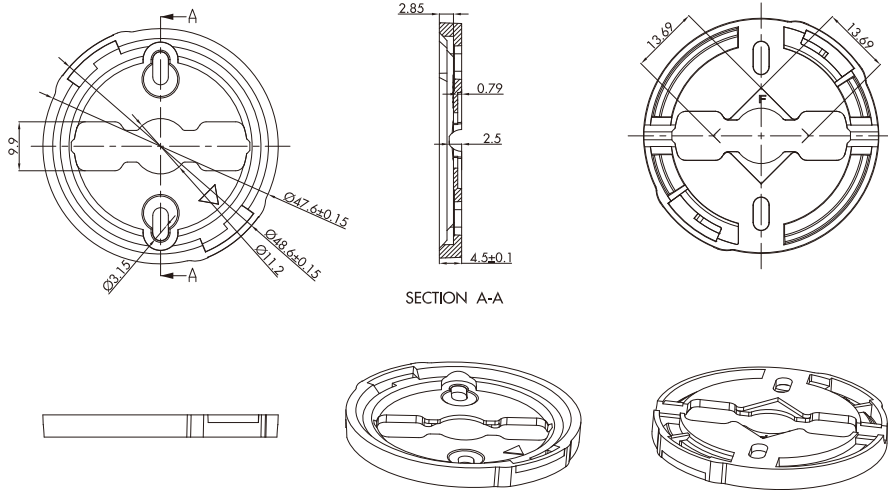
SECTION A-A



*Holder matched leds/支架匹配光源:
Luminus:GEN 3 CHM-9/GEN 3 CLM-9
GENERAL TOLERANCES(UNLESS STATED)UINEARX

| 材质/MATERIAL | PC |
|---------------|----|
| 线性/LINEAR | |
| 0~5±0.05 | |
| 5~10±0.1 | |
| 10~30±0.15 | |
| 角度/ANGULAR | |
| 0°~10°±1° | |
| 10°~50°±0.5° | |
| 50°~120°±0.3° | |

H105M-F

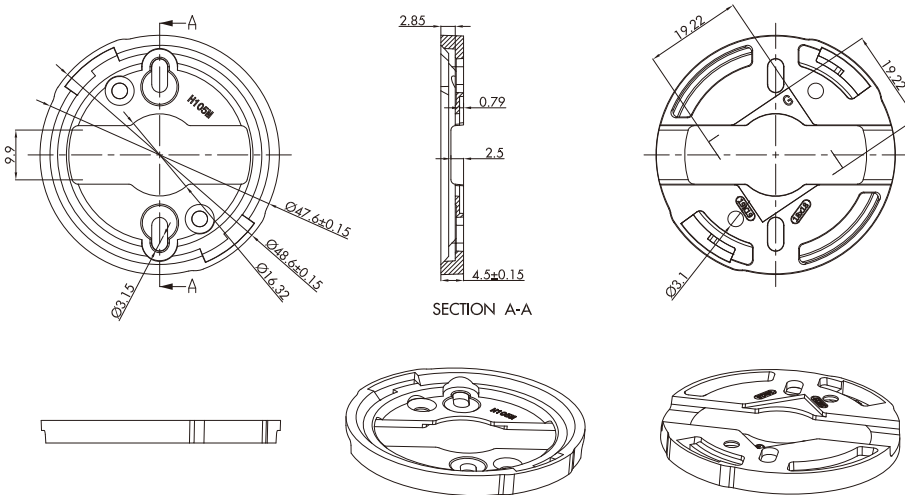


*Holder matched leds/ 支架匹配光源:
 CREE: I3xx
 Luminus: CXM-3/CXM-4/CXM-6/CXM-9

Citizen: CLu700/CLU026/CLU020
 Bridgelux: V3-HD/V6-HD/V10-G7

| 材质/MATERIAL | PC |
|-------------|---------------|
| 线性/LINEAR | |
| | 0~5±0.05 |
| | 5~10±0.1 |
| | 10~30±0.15 |
| 角度/ANGULAR | |
| | 0°~10°±1° |
| | 10°~50°±0.5° |
| | 50°~120°±0.3° |

H105M-G



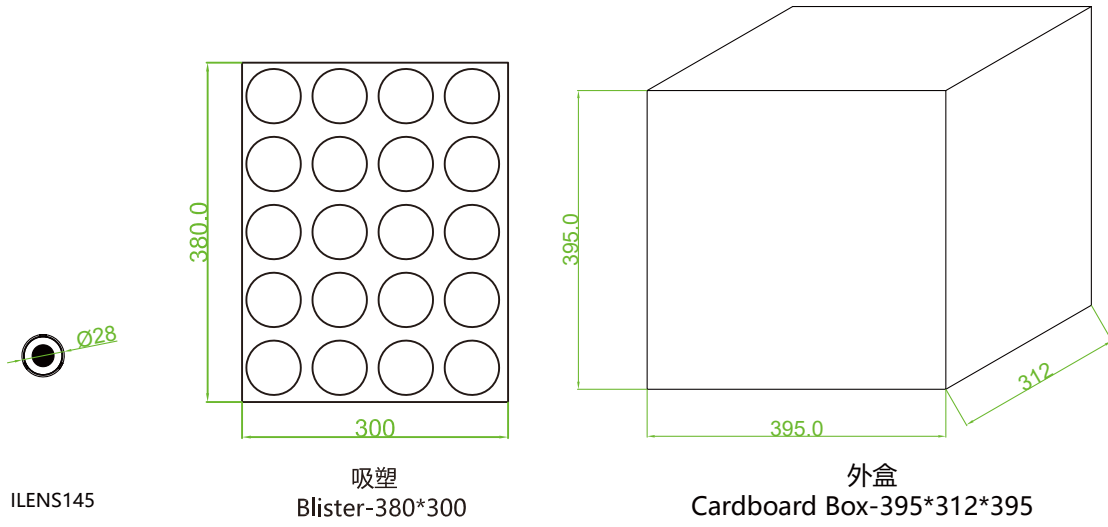
*Holder matched leds/ 支架匹配光源:
 Citizen: CLu713/CLU723/CLU038
 Bridgelux: V9 HD/V11 HD/V13-G7

Luminus: CXM-11/CXM-14

| 材质/MATERIAL | PC |
|-------------|---------------|
| 线性/LINEAR | |
| | 0~5±0.05 |
| | 5~10±0.1 |
| | 10~30±0.15 |
| 角度/ANGULAR | |
| | 0°~10°±1° |
| | 10°~50°±0.5° |
| | 50°~120°±0.3° |

产品包装/Products Packaging

| Part NO. | QTY |
|------------------------------|--------|
| ILENS145-C0B62-15-H | 200pcs |
| 吸塑/Blister-380*300 | 10pcs |
| 外盒/Cardboard Box-395*312*395 | 1pcs |



示意图/The schematic diagram:

