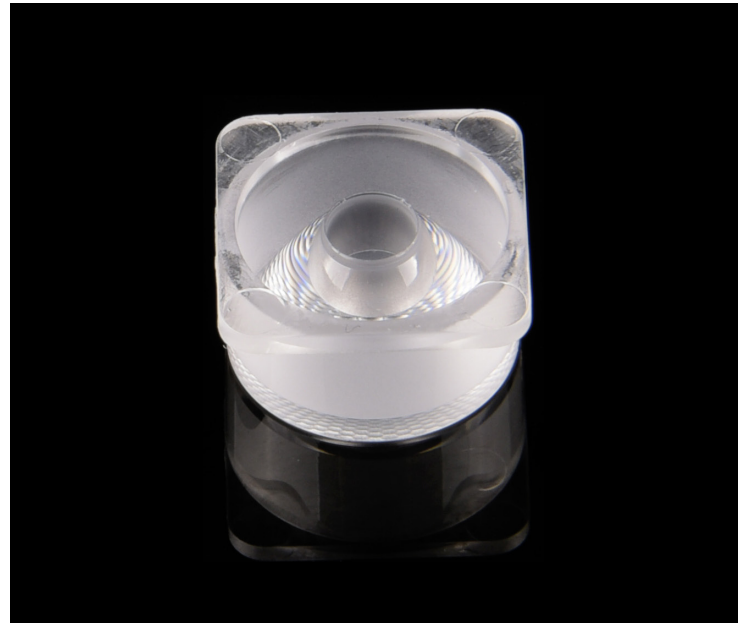


规格/TECHNICAL SPECIFICATIONS

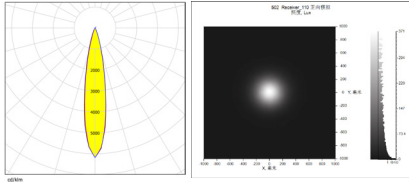
型号/MODEL NUMBER:	I LENS502-S15-B20-NH
透镜尺寸/LENS DIMENSIONS:	14.9*14.9*8.0MM
定位方式/FASTENING:	定位柱/Pin
是否符合ROHS/ROHS COMPLIANT:	是/YES



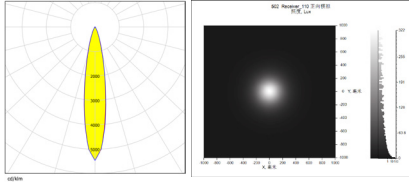
说明/CHARACTERISTIC:

1. 透镜有多种不同的配光角度。
The lens have multiple types beam angles .
2. 一体化镜头无支架。
The integrated lens has no holder.
3. 兼容多种灯珠。
Compatible with various lamp beads.
4. 适用于道路护栏灯杆，桥梁灯。
Application: road guardrail lighting, bridge lighting.
5. 与市面上同类镜头相比，光效更好，光斑更漂亮，兼容性更好。
Compared with similar type lenses on the market,with better light effect ,more beautiful spot and better compatibility.

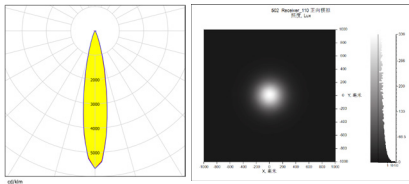
LED:LUMINUS 3030
 角度/FWHM:18°
 光效/Efficiency:85%
 峰值强度/Peakintensity:7CD/LM
 光学面数量/LED/each optic:1
 灯光颜色/Light colour:白色/White
 所需组件/Required components:



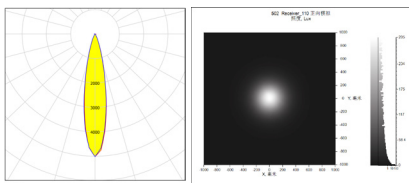
LED:LUMINUS 2835
 角度/FWHM:18°
 光效/Efficiency:85%
 峰值强度/Peakintensity:6CD/LM
 光学面数量/LED/each optic:1
 灯光颜色/Light colour:白色/White
 所需组件/Required components:



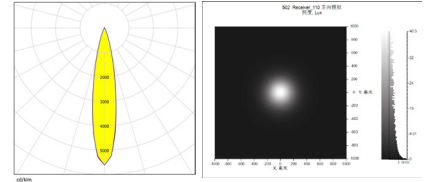
LED:CREE 3030
 角度/FWHM:19°
 光效/Efficiency:85%
 峰值强度/Peakintensity:6CD/LM
 光学面数量/LED/each optic:1
 灯光颜色/Light colour:白色/White
 所需组件/Required components:



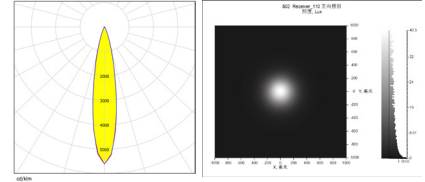
LED:CREE 2835
 角度/FWHM:20°
 光效/Efficiency:85%
 峰值强度/Peakintensity:5CD/LM
 光学面数量/LED/each optic:1
 灯光颜色/Light colour:白色/White
 所需组件/Required components:



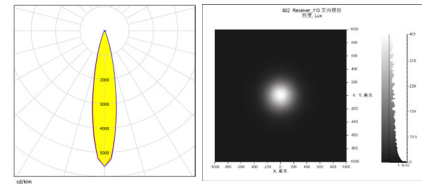
LED:SAMSUNG 3030
 角度/FWHM:19°
 光效/Efficiency:85%
 峰值强度/Peakintensity:6CD/LM
 光学面数量/LED/each optic:1
 灯光颜色/Light colour:白色/White
 所需组件/Required components:



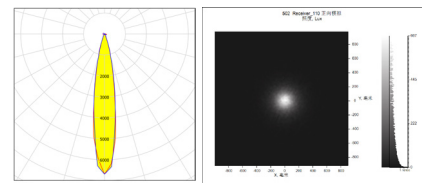
LED:SAMSUNG 2835
 角度/FWHM:19°
 光效/Efficiency:85%
 峰值强度/Peakintensity:6CD/LM
 光学面数量/LED/each optic:1
 灯光颜色/Light colour:白色/White
 所需组件/Required components:



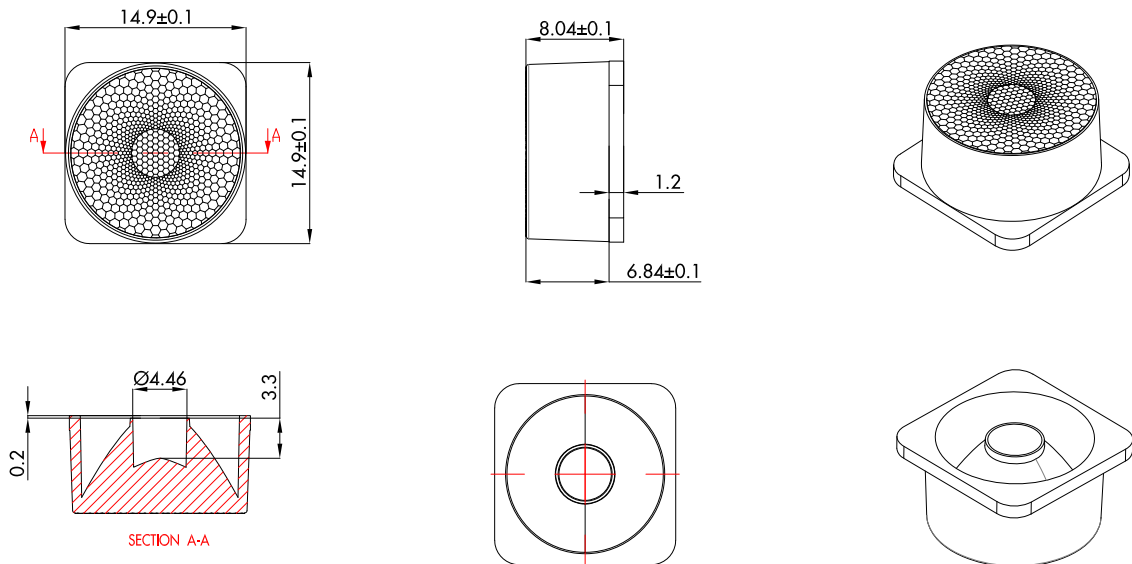
LED:LEXTAR 3030
 角度/FWHM:20°
 光效/Efficiency:85%
 峰值强度/Peakintensity:6CD/LM
 光学面数量/LED/each optic:1
 灯光颜色/Light colour:白色/White
 所需组件/Required components:



LED:LEXTAR 2835
 角度/FWHM:17°
 光效/Efficiency:85%
 峰值强度/Peakintensity:7CD/LM
 光学面数量/LED/each optic:1
 灯光颜色/Light colour:白色/White
 所需组件/Required components:



CAD



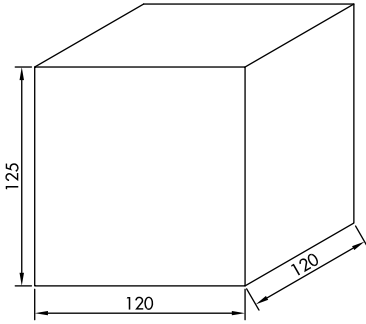
注意/NOTE:

1. 镜片表面应光滑无划痕、气泡、凹痕和黑点。

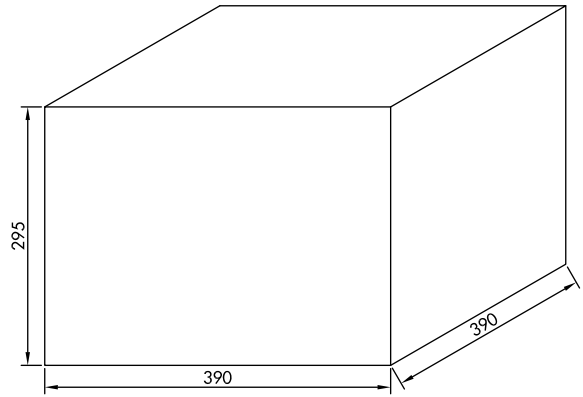
The surface of the lens should be smooth without scratches, bubbles, dents and black spots.

GENERAL TOL ERANCES ISO2768-M (UNLESS STATED) 一般公差ISO 2768-M (除非另有说明)	MATERIL 材质	PC	DRAWING TITLE 绘图标题	ILENS502-S15-B20-NH
LINEAR/线性	0~5±0.05		5~10±0.1	10~30±0.15
ANGULAR/角度	0°~10°±1°		10°~50°±0.5°	50°~120°±0.3°

产品包装/Products Packaging



内盒
cardboard box(S)



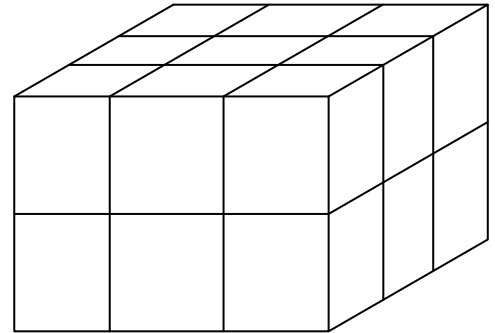
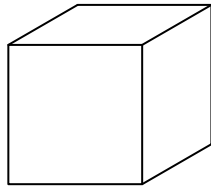
外盒
cardboard box(M) 2:1

型号/Part No.	数量/QTY
ILENS502-S15-B20-NH	12600pcs
PE袋/PE bag	700pcs
内盒/cardboard box (S)	18pcs
外盒/cardboard box (M)	1pcs

示意图/The schematic diagram :



700PCS



700pcs*18=12600pcs